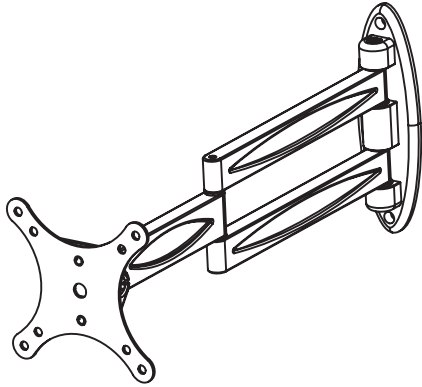


VM180 CANTILEVER MOUNT

INSTRUCTION MANUAL








Fits most 10"- 24" flat panel TV
 Weight capacity : 35lbs (15.9kg)
 VESA compliance : 75×75,100×100mm

WARNING

Severe personal injury and property damage can result from improper installation or assembly. Read the following warning before beginning.

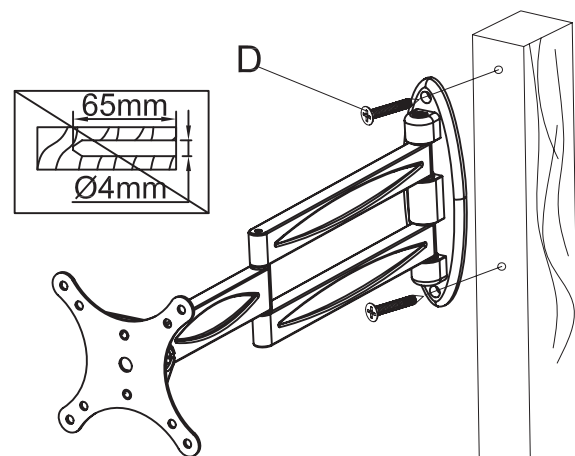
- If you do not understand the instructions or have any concerns or questions, please contact a qualified local installer.
- Do not install or assemble if the product or hardware is damaged or missing, if you require replacement parts, please contact you local distributor for assistance.
- This product has been designed for use on a vertical wall constructed or wood studs(minimum 2" x 4" inch(51x102mm)) or masonry (solid concrete).
- For safe installation, the wall you are mounting to must support minimum 3 times the weight of the total load (the mount, the TV and all accessories).
- Do not use this product for other than the original designed.
- This product contain moving parts, please use with caution.
- The manufacturer will bear no responsibility to the vertical wall of mounting, or incidental or consequential damages arising thereof.
- The manufacturer disclaims any liability for the modifications, improper installation, or installation over the specified weight range. The manufacturer will not be liable for any damages arising out of the use of , or inability to use, the product.

Parts List:

- A-  (M4x14)-4 pcs
- B-  (M4x25)-4 pcs
- C-  (Ø8xØ5x11)-4 pcs
- D-  (#14x2.5")-2 pcs
- E-  (Ø9xØ6x40)-2 pcs

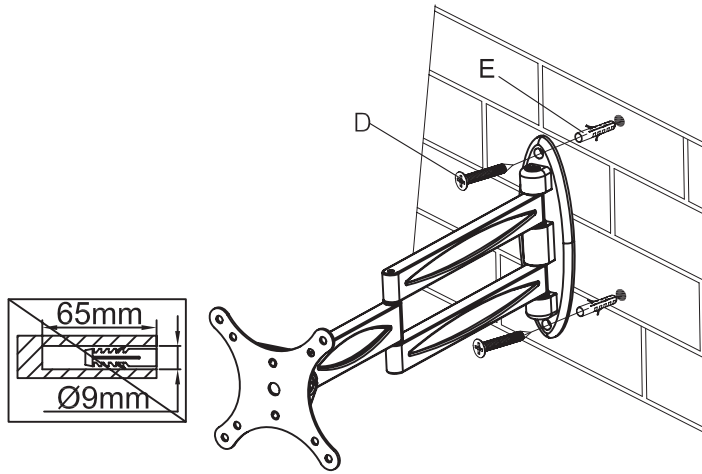
step 1a

If mount on wood stud(2" x 4" inch)(51x102mm).



step 1b

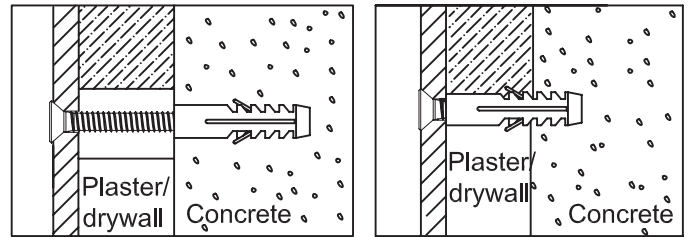
If mount on masonry (solid concrete).



Warning

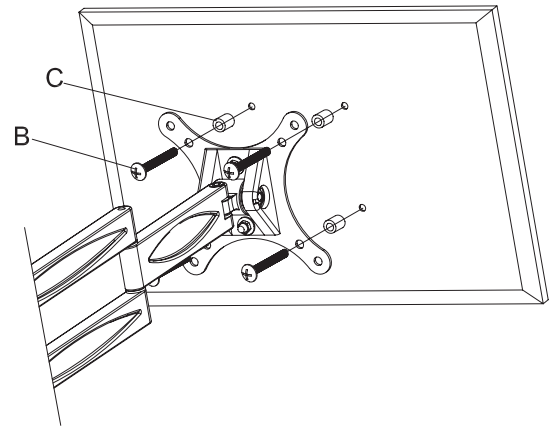
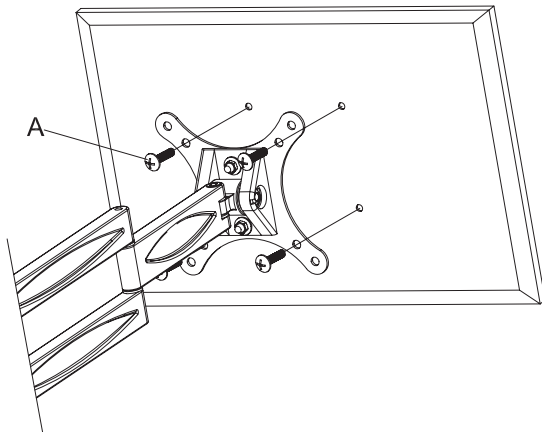
Correct (✓)

Incorrect (X)



step 2a

VESA 75×75mm



step 2b

VESA 100×100mm

