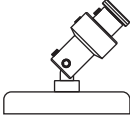
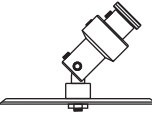
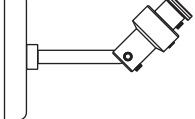
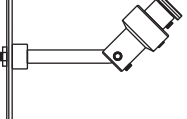



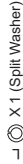
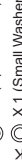
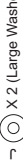

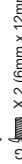
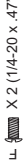





AM-20 UNIVERSAL SPEAKER MOUNT

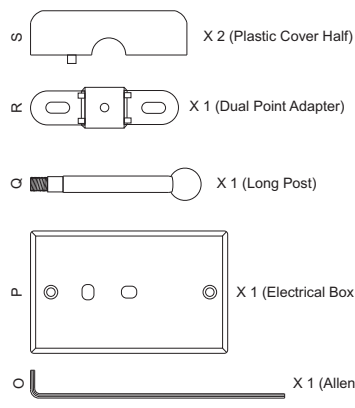
The AM-20 Speaker Mount has been designed to offer 4 different configurations for mounting home theater speakers and can be used as a wall or ceiling mount. It is pre assembled in the Standard Wall Mount Configuration (A) shown, but can be assembled to any of the 3 additional configurations (B,C,D) shown. Just select the configuration best suited for your application and follow the assembly instructions on pages 2-4.

The AM-20 can support speakers up to 12 lbs (5.44kg) in all configurations and offers a full tilt and swivel adjustability.

A	Standard Wall Mount Configuration	
B	Electrical Box Wall Mount Configuration	
C	Standard Ceiling Mount Configuration	
D	Electrical Box Ceiling Mount Configuration	

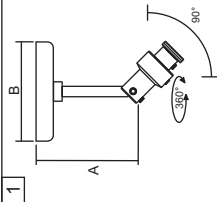
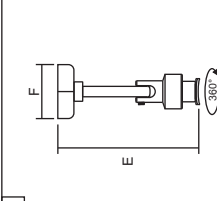
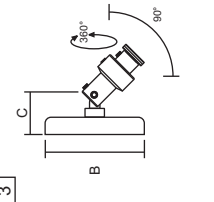
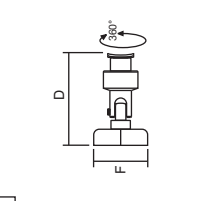
PARTS

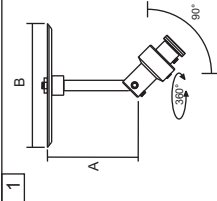
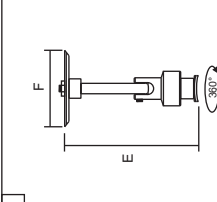
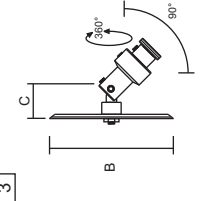
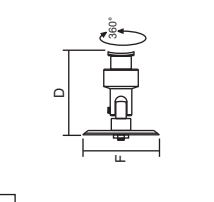
-  X 1 (1/4-20 x 1.75")
-  X 1 (Split Washer)
-  X 1 (Small Washer)
-  X 2 (Large Washer)
-  X 1 (5mm Key Hole Adapter)
-  X 2 (5mm x 12mm)
-  X 2 (6mm x 12mm)
-  X 1 (5mm x 25mm)
-  X 1 (6mm x 25mm)
-  X 1 (1/4-20 x 1")
-  X 2 (Electrical Box Screw)
-  X 2 (wood screw)



NOTICE!

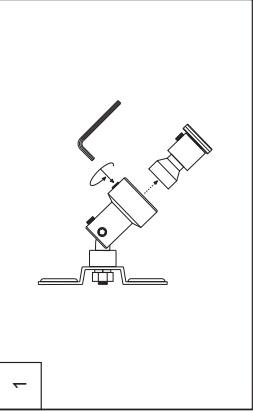
If you have any questions on the installation, assembly, or have missing or damaged parts, please contact our support team at (866) 671-2020 Monday-Friday 9.30a - 5.30p or by email 24/7 at sales@pinpointmarketinginc.com.

1		2	
3		4	
	A	E	D
	B	F	F
	C		
	D		
	E		
	F		
	93.0mm		
	92.0mm		
	35.0mm		
	87.0mm		
	140.0mm		
	50.0mm		

1		2	
3		4	
	A	E	D
	B	F	F
	C		
	D		
	E		
	F		
	103.0mm		
	115.0mm		
	30.0mm		
	84.0mm		
	135.0mm		
	72.0mm		

SPEAKER MOUNT CONFIGURATION ASSEMBLY

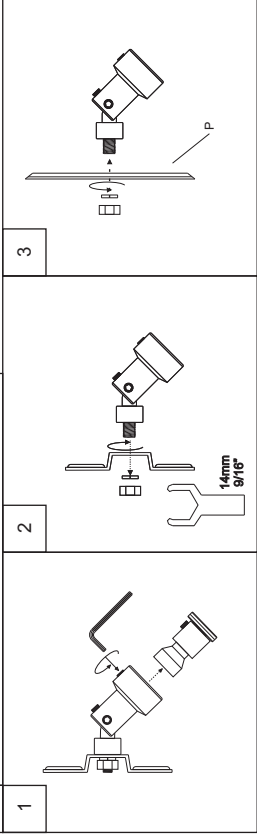
A STANDARD WALL MOUNT



Choose the mounting configuration needed for your application from the diagrams on this page then continue to the next page.

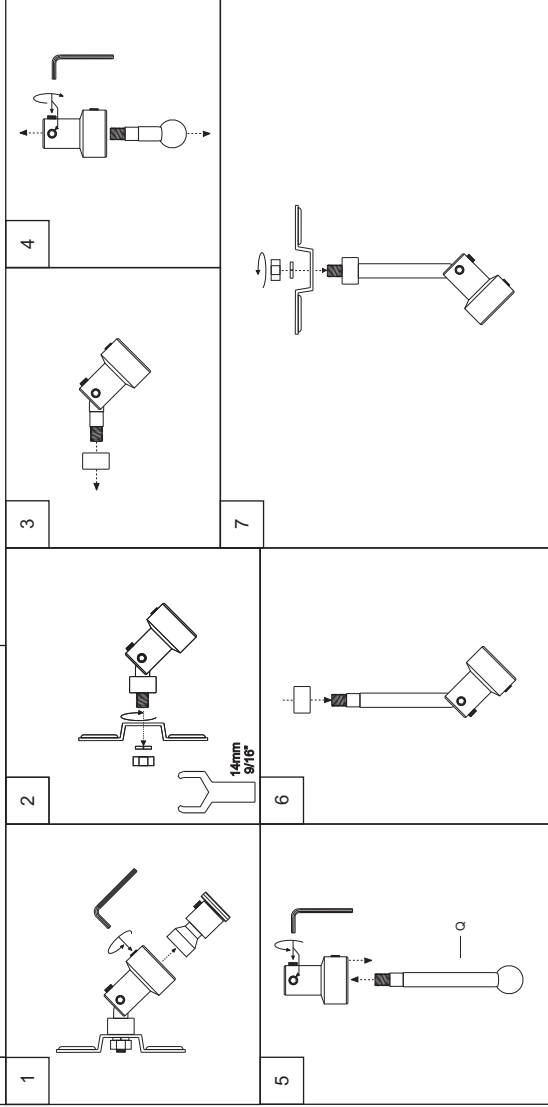
Note: Over tightening the set screws may cause cross threading or stripped threads.

B PRE-WIRED CEILING MOUNT

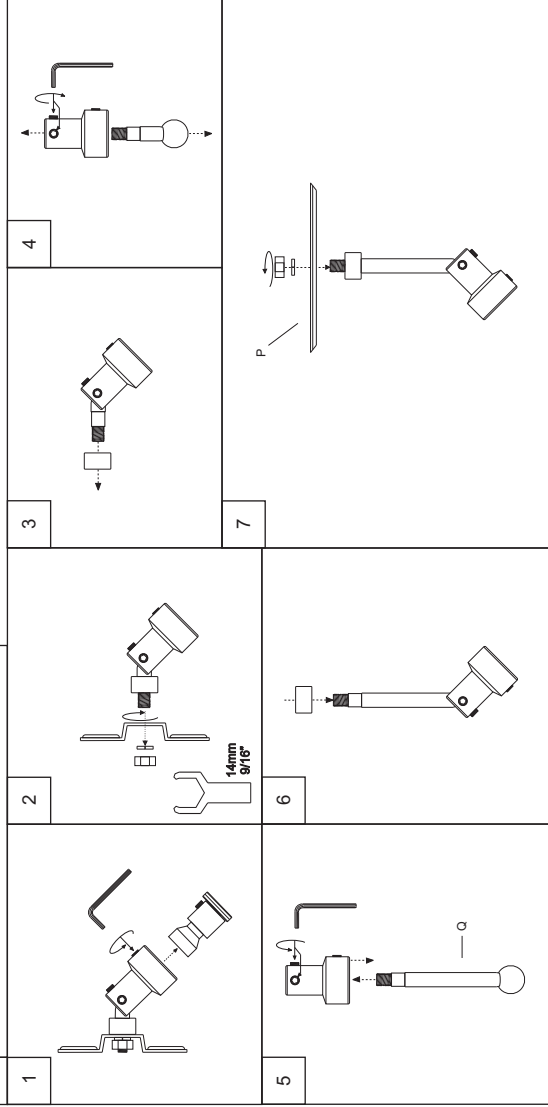


Use the included wrench to remove the nut holding the mount to the wall plate. You can also use a 14mm socket wrench.

C STANDARD CEILING MOUNT



D PRE-WIRED CEILING MOUNT



ATTACHING THE MOUNT

MOUNTING TO A CEILING LOCATION

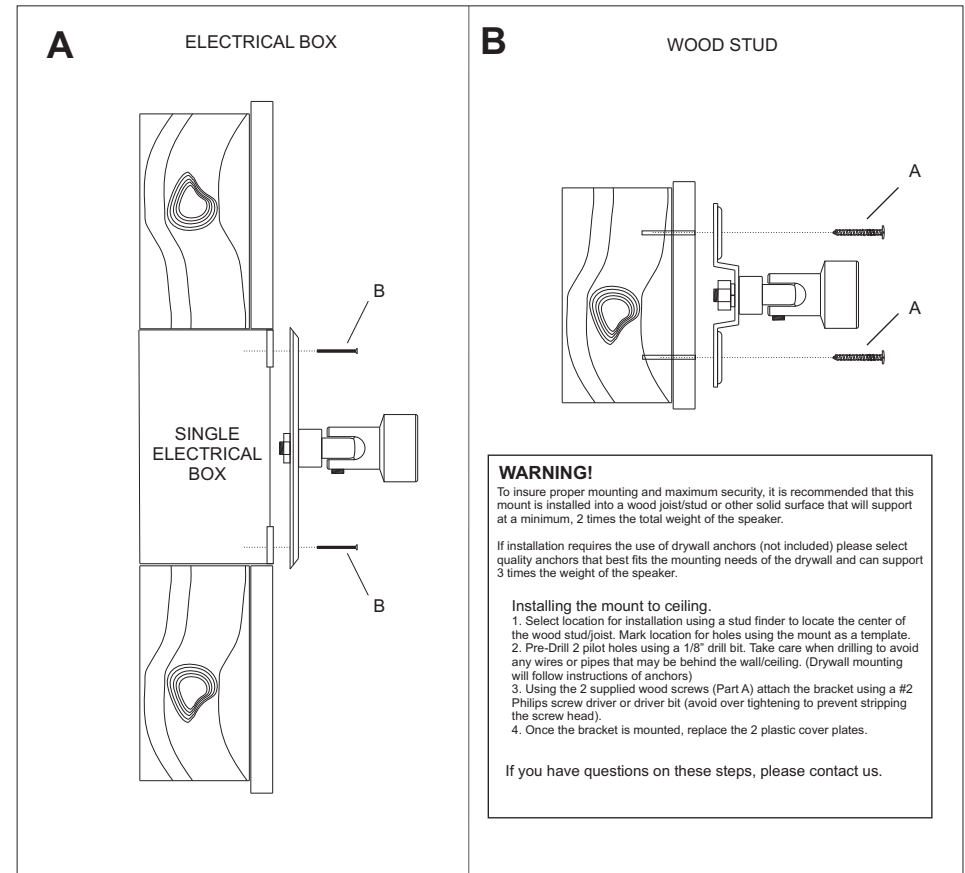
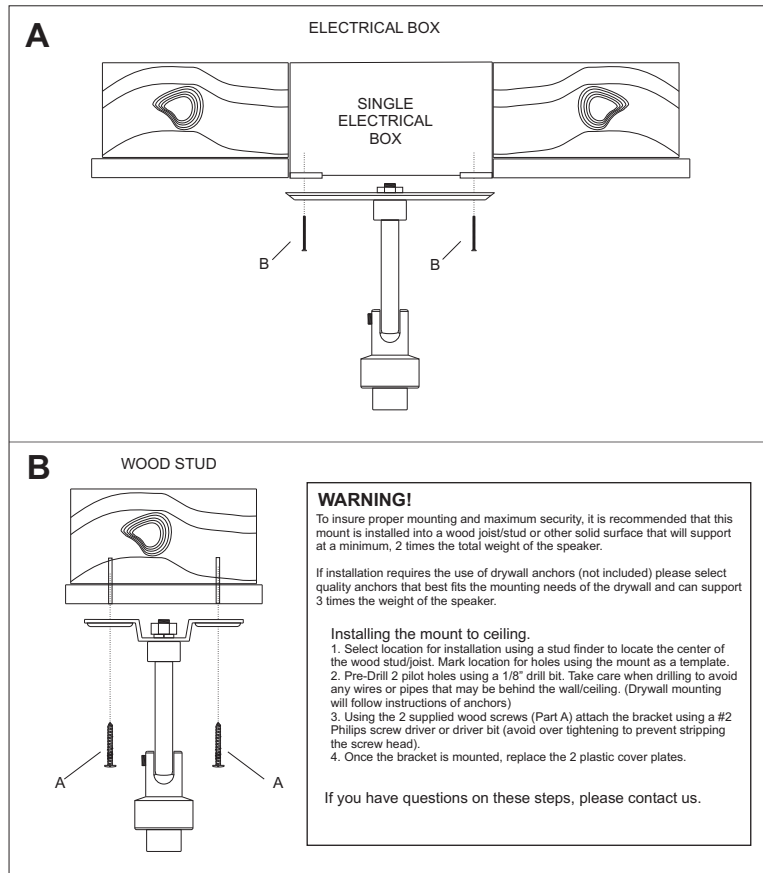
FOLLOW **DIAGRAM A** WHEN MOUNTING TO A STANDARD SINGLE GANG ELECTRICAL BOX.

FOLLOW **DIAGRAM B** WHEN MOUNTING TO A SOLID SURFACE LOCATION.

MOUNTING TO A WALL LOCATION

FOLLOW **DIAGRAM A** WHEN MOUNTING TO A STANDARD SINGLE GANG ELECTRICAL BOX.

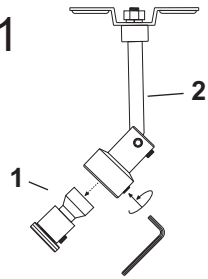
FOLLOW **DIAGRAM B** WHEN MOUNTING TO A SOLID SURFACE LOCATION.



WARNING! - When mounting this product it is recommended to determine the location selected will support at least two times (2x) the total weight of the speaker. When mounting this product to a electrical box location, inspect this location to determine if the box is properly attached to a support stud (2x4') with screw/nail & the drywall is in good condition.

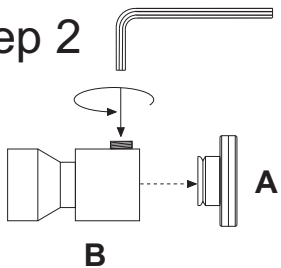
MOUNTING THE SPEAKER

Step 1



Before installing the speaker, remove the mounting tip assembly(1) from the mounting bracket body(2).

Step 2



Step 2

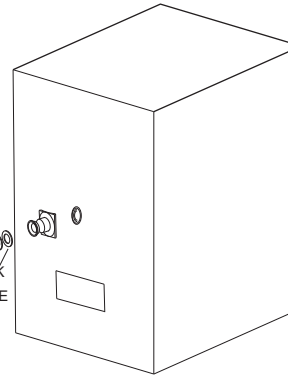
To mount a speaker, remove the single point adapter tip(A) from the Mounting body(B) and determine the correct speaker mounting point your speaker has from the three (3) diagrams shown in step 3.

-Some speakers may use more than one type of mounting point, select the one best suited for your application.

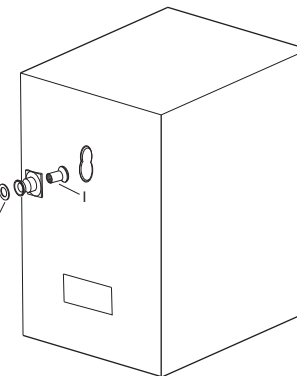
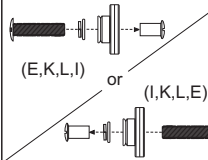
-The hardware kit supplied with this mount are contains the most common size screws used to mount speakers. Some speakers may require longer or shorter screws not supplied in this kit.

Step 3

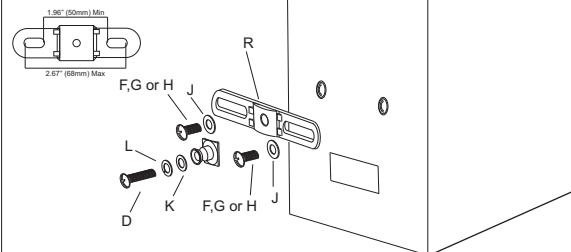
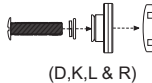
SINGLE MOUNTING POINT



KEYHOLE MOUNTING POINT



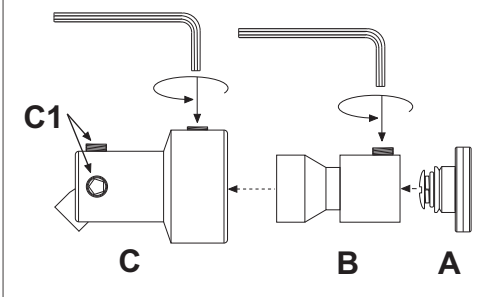
DUAL MOUNTING POINTS



Step 4

Once the speaker has been attached to the adapter tip(A), replace the adapter tip(A) to the mounting body(B) and then attach the adapter body(B) to the speaker mount assembly(C).

Step 4



After the speaker has been attached to the speaker mount assembly, you should connect the speaker wires.

To aim the speaker, loosen the small allen key bolts (C1) so that the adapter body can be rotated & tilted to the desired position. Tighten the allen key bolts(C1) to lock the speaker into the desired position.